















- 1 
- 2 
- 3 
- 4 
- 5 
- 6 
- 7 
- 8 
- 9 
- 10 
- 11 
- 12 
- 13 
- 14 
- 15 
- 16 
- 17 
- 18 
- 19 

VERSIONS

- Version **K**: with two hand levers and two socket cap screws
- Version **S**: with four socket cap screws

Mounting clamp

Aluminum

- Matte, ground **MT**
- Anodized, black **ELS**

Adjustable hand levers (Type S)

- Die-cast zinc alloy

Epoxy resin coating

Silver, RAL 9006, matte finish

- Threaded insert and retaining screw

AISI 303 stainless steel

Adjusting wheel

AISI 303 stainless steel

Thrust washer

Plastic

Socket cap screws ISO 4762

Stainless Steel AISI 304

- 2x chemically blackened (Type S)

- 2x plain finish (Type K / Type S)

Countersunk screw ISO 14581

Stainless Steel AISI 304

Spring

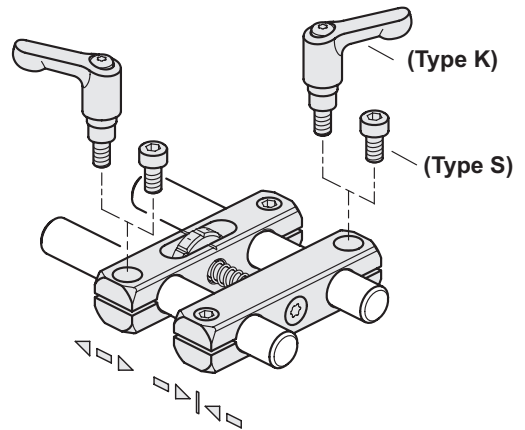
Spring steel AISI 301

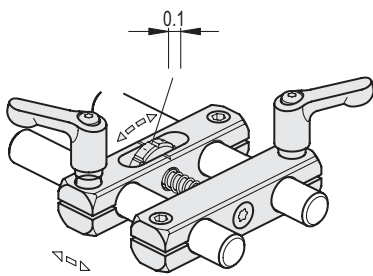
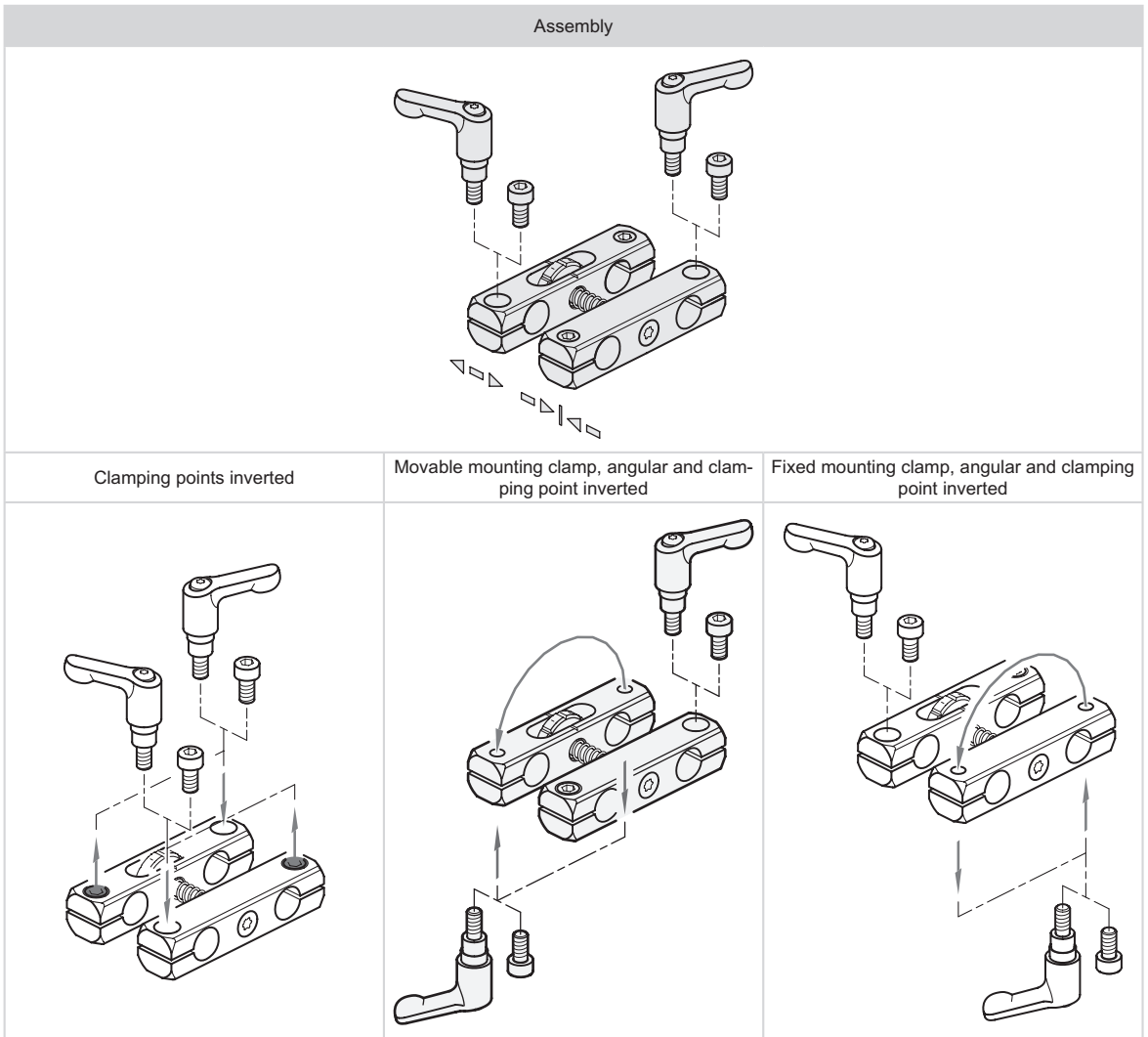
FEATURES AND APPLICATIONS

Parallel mounting clamps with adjustable spindle GN 474.3 are used for adjusting measuring or test setups.

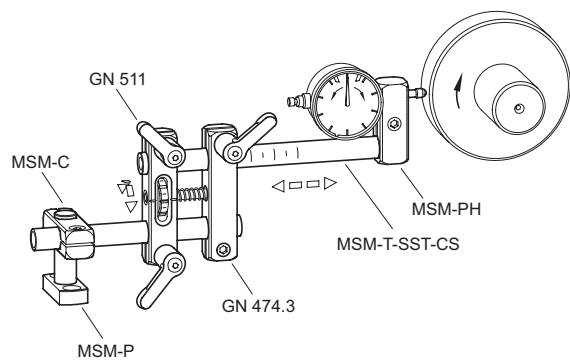
For coarse adjustments in millimeters, two adjacent clamping points are released so that the rod can be shifted quickly. When using retaining rods / retaining tubes MSM-T (see page -) in type LS with longitudinal scale, their scale provides orientation during presetting.

For fine adjustments, two diagonally opposite clamping points are released. The relative position of the retaining rods/retaining tubes can then be set with the adjusting wheel. The adjusting distance can be read in 0.1 mm increments based on the knurled graduations. Due to the integrated spring, the adjustment is free of backlash.



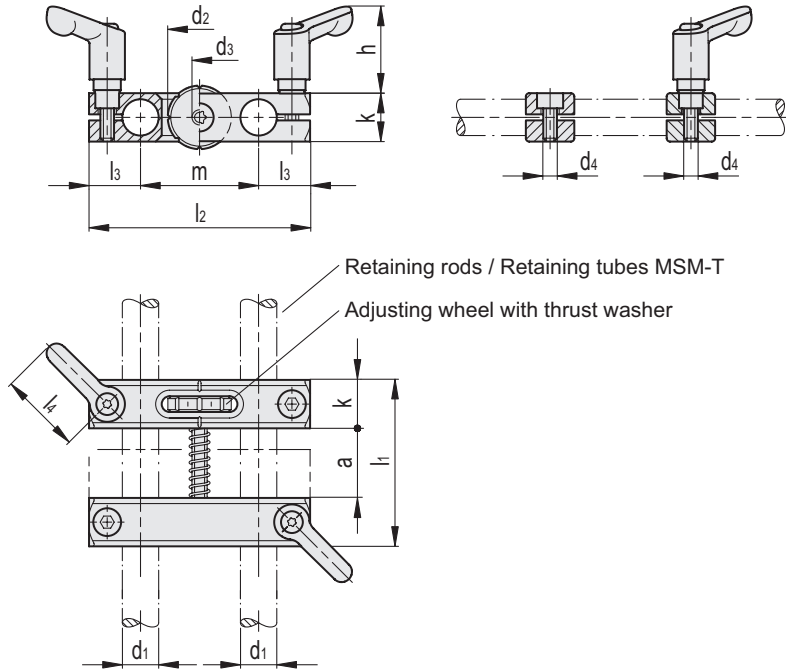


Line scaling on adjusting wheel for adjustment in 1/10 mm increments



- 1
- 2
- 3
- 4
- 5
- 6
- 7
- 8
- 9
- 10
- 11
- 12**
- 13
- 14
- 15
- 16
- 17
- 18
- 19

- 1
- 2
- 3
- 4
- 5
- 6
- 7
- 8
- 9
- 10
- 11
- 12
- 13
- 14
- 15
- 16
- 17
- 18
- 19



GN 474.3-K-MT

Code	Description	d1*	d2	d3	d4	a Max. stroke	l1 max.	l2	l3	l4	h	k	m	⚖
GN.47486	GN 474.3-B8-K-MT	B 8	19	M 4	M 4	12	40	59	13.5	22	23.5	14	32	92
GN.47490	GN 474.3-B12-K-MT	B 12	21	M 5	M 5	18	50	73	17	30	32	16	39	154
GN.47494	GN 474.3-B16-K-MT	B 16	26	M 6	M 6	24	64	91	20.5	45	35	20	50	256

GN 474.3-K-ELS

Code	Description	d1*	d2	d3	d4	a Max. stroke	l1 max.	l2	l3	l4	h	k	m	⚖
GN.47485	GN 474.3-B8-K-ELS	B 8	19	M 4	M 4	12	40	59	13.5	22	23.5	14	32	92
GN.47489	GN 474.3-B12-K-ELS	B 12	21	M 5	M 5	18	50	73	17	30	32	16	39	154
GN.47493	GN 474.3-B16-K-ELS	B 16	26	M 6	M 6	24	64	91	20.5	45	35	20	50	256

GN 474.3-S-MT

Code	Description	d1*	d2	d3	d4	a Max. stroke	l1 max.	l2	l3	k	m	⚖
GN.47488	GN 474.3-B8-S-MT	B 8	19	M 4	M 4	12	40	59	13.5	14	32	92
GN.47492	GN 474.3-B12-S-MT	B 12	21	M 5	M 5	18	50	73	17	16	39	154
GN.47496	GN 474.3-B16-S-MT	B 16	26	M 6	M 6	24	64	91	20.5	20	50	256

GN 474.3-S-ELS

Code	Description	d1*	d2	d3	d4	a Max. stroke	l1 max.	l2	l3	k	m	⚖
GN.47487	GN 474.3-B8-S-ELS	B 8	19	M 4	M 4	12	40	59	13.5	14	32	92
GN.47491	GN 474.3-B12-S-ELS	B 12	21	M 5	M 5	18	50	73	17	16	39	154
GN.47495	GN 474.3-B16-S-ELS	B 16	26	M 6	M 6	24	64	91	20.5	20	50	256

Levelling feet and supports

* hole diameter for shaft tolerance h11.